



APPLICATION FOR EMC DIRECTIVE

On Behalf of

LIGHTEARTH (China) ,Ltd

Amalgam UV Lamp

Trade Name: LIGHTEARTH

**Model: LEGHA1000T6L, LEGHA357T5L, LEGHA843T5L,
LEGHA1000T5L, LEGHA1554T5L, LEGHA357T6L,
LEGHA843T6L, LEGHA1554T6L, LEGHA1510T8L,
LEGHA1310T10L, LEGHA1554T10L, LEGHA1500T10L**

Prepared For : LIGHTEARTH (China) ,Ltd
Xin'an Industrial Zone, Danzao Town, Nanhai District, Foshan City,
Guangdong Province, China

Prepared By : TMC Testing Services (Shenzhen) Co., Ltd.
1/F., Block A, Xinshidai Gongrong Industrial Park, No. 2, Shihuan
Road, Shilong Community, Shiyuan Street, Baoan District, Shenzhen,
China
Tel: +86-755- 86642861
Web: www.tmc-lab.com
E-mail: Cert@tmc-lab.com

Date of Test: September 13, 2021- September 23, 2021

Date of Report: September 23, 2021

Report Number: TMC210913101 -E

TABLE OF CONTENTS

TEST REPORT DECLARATION.....	5
1. TEST RESULTS SUMMARY.....	6
2. GENERAL INFORMATION.....	7
2.1. Report information.....	7
2.2. Measurement Uncertainty.....	7
3. PRODUCT DESCRIPTION.....	8
3.1. EUT Description.....	8
3.2. Block Diagram of EUT Configuration.....	8
3.3. Operating Condition of EUT.....	8
3.4. Test Conditions.....	8
3.5. Modifications.....	8
3.6. Abbreviations.....	9
3.7. Performance Criterion.....	9
4. TEST EQUIPMENT USED.....	10
4.1. For Conducted Emission Test.....	10
4.2. For Magnetic Test (In Shielding Room).....	10
4.3. For Harmonic / Flicker Test.....	10
4.4. For Electrostatic Discharge Immunity Test.....	10
4.5. For RF Strength Susceptibility Test.....	10
4.6. For Electrical Fast Transient/Burst Immunity Test.....	10
4.7. For Surge Test.....	11
4.8. For Injected Currents Susceptibility Test.....	11
4.9. For Magnetic Field Immunity Test.....	11
4.10. For Voltage Dips and Interruptions Test.....	11
5 RADIATED EMISSION TEST.....	12
5.1 Test Standard.....	12
5.1 Radiated Emission Limit.....	12
5.2 EUT Configuration on Test.....	12
5.3 Operating Condition of EUT.....	13
5.4 Test Procedure.....	13
5.5 Test Results.....	13
6. POWER LINE CONDUCTED EMISSION TEST.....	14
6.1. Block Diagram of Test Setup.....	14
6.2. Test Standard.....	14
6.3. Power Line Conducted Emission Limit.....	14
6.4. EUT Configuration on Test.....	14
6.5. Operating Condition of EUT.....	15
6.6. Test Procedure.....	15
6.7. Test Result.....	15
7. MAGNETIC TEST.....	16
7.1. Block Diagram of Test Setup.....	16
7.2. Test Standard.....	16
7.3. Magnetic Field Emission Limits.....	16
7.4. EUT Configuration on Test.....	16

7.5. Operating Condition of EUT	16
7.6. Test Procedure	17
7.7. Test Results	17
8. HARMONIC CURRENT EMISSION TEST	18
8.1. Block Diagram of Test Setup	18
8.2. Test Standard	18
8.3. Operating Condition of EUT	18
8.4. Test Procedure	18
8.5. Test Results	18
9. VOLTAGE FLUCTUATIONS & FLICKER TEST	19
9.1. Block Diagram of Test Setup	19
9.2. Test Standard	19
9.3. Operating Condition of EUT	19
9.4. Test Data	19
9.5. Test Results	19
10. ELECTROSTATIC DISCHARGE TEST	20
10.1. Block Diagram of ESD Test Setup	20
10.2. Test Standard	20
10.3. Severity Levels and Performance Criterion	20
10.4. EUT Configuration on Test	20
10.5. Operating Condition of EUT	21
10.6. Test Procedure	21
10.7. Test Results	21
11. RF FIELD STRENGTH SUSCEPTIBILITY TEST	23
11.1. R/S Test Setup	23
11.2. Test Standard	23
11.3. Severity Levels and Performance Criterion	23
11.4. EUT Configuration on Test	24
11.5. Operating Condition of EUT	24
11.6. Test Procedure	24
11.7. Test Results	24
12. ELECTRICAL FAST TRANSIENT/BURST TEST	26
12.1. EFT Test Setup	26
12.2. Test Standard	26
12.3. Severity Levels and Performance Criterion	26
12.4. EUT Configuration on Test	26
12.5. Operating Condition of EUT	26
12.6. Test Procedure	27
12.7. Test Results	27
13. SURGE TEST	29
13.1. Surge Test Setup	29
13.2. Test Standard	29
13.3. Severity Levels and Performance Criterion	29
13.4. EUT Configuration on Test	29
13.5. Operating Condition of EUT	29
13.6. Test Procedure	30
13.7. Test Results	30

14. INJECTED CURRENTS SUSCEPTIBILITY TEST	32
14.1. Block Diagram of Test AC Mains Setup	32
14.2. Test Standard	32
14.3. Severity Levels and Performance Criterion	32
14.4. EUT Configuration on Test	32
14.5. Operating Condition of EUT	32
14.6. Test Procedure	33
14.7. Test Results	33
15. MAGNETIC FIELD IMMUNITY TEST.....	35
15.1. Block Diagram of Test Setup.....	35
15.2. Test Standard	35
15.3. Severity Levels and Performance Criterion	35
15.4. EUT Configuration on Test	35
15.5. Operating Condition of EUT	36
15.6. Test Procedure	36
15.7. Test Results.....	36
16. VOLTAGE DIPS AND INTERRUPTIONS TEST	38
16.1. Voltage Dips and Interruptions Test Setup.....	38
16.2. Test Standard	38
16.3. Severity Levels and Performance Criterion	38
16.4. EUT Configuration on Test	38
16.5. Operating Condition of EUT	38
16.6. Test Procedure	39
16.7. Test Result	39
APPENDIX I Test Curves.....	43
APPENDIX II Test Curves.....	46
APPENDIX III (Photos of the EUT).....	50

TEST REPORT DECLARATION

Applicant	:	LIGHTEARTH (China) .,Ltd
Address	:	Xin'an Industrial Zone, Danzao Town, Nanhai District, Foshan City, Guangdong Province, China
EUT Description	:	Amalgam UV Lamp
Model Number	:	LEGHA1000T6L, LEGHA357T5L, LEGHA843T5L, LEGHA1000T5L, LEGHA1554T5L, LEGHA357T6L, LEGHA843T6L, LEGHA1554T6L, LEGHA1510T8L, LEGHA1310T10L, LEGHA1554T10L, LEGHA1500T10L
Trade Name	:	莱劭思 LIGHTEARTH

Test Standards:

EN IEC 55015:2019+A11:2020
 IEC 61547:2020
 EN IEC 61000-3-2:2019
 EN 61000-3-3:2013+A1:2019

The EUT described above is tested by TMC Testing Services (Shenzhen) Co., Ltd. EMC Laboratory to determine the maximum emissions from the EUT and ensure the EUT to be compliance with the immunity requirements of the EUT. TMC Testing Services (Shenzhen) Co., Ltd. EMC Laboratory is assumed full responsibility for the accuracy of the test results. Also, this report shows that the EUT technically complies with the 2014/30/EU directive and its amendment requirements.

The test report is valid for above tested sample only and shall not be reproduced in part without written approval of the laboratory.

Prepared by :



Taylor Wu/ Assistant

Approved & Authorized Signer :



Vivian Jiang/ Manager



1. TEST RESULTS SUMMARY

Table 1 Test Results Summary

Test Items	Test Results
Conducted emission test	PASS
Radiated Emission	PASS
Magnetic test	PASS
Harmonic Current	PASS
Voltage Fluctuation and Flicker	PASS
Electrostatic Discharge Test	PASS
RF Field Strength susceptibility Test	PASS
Electrical Fast Transient/Burst Test	PASS
Surge Test	PASS
Injected currents susceptibility test	PASS
Voltage dips and interruptions test	PASS

2. GENERAL INFORMATION

2.1. Report information

2.1.1. This report is not a certificate of quality; it only applies to the sample of the specific product/equipment given at the time of its testing. The results are not used to indicate or imply that they are applicable to the similar items. In addition, such results must not be used to indicate or imply that TMC approves, recommends or endorses the manufacture, supplier or use of such product/equipment, or that TMC in any way guarantees the later performance of the product/equipment.

2.1.2. The sample/s mentioned in this report is/are supplied by Applicant, TMC therefore assumes no responsibility for the accuracy of information on the brand name, model number, origin of manufacture or any information supplied.

2.1.3. Additional copies of the report are available to the Applicant at an additional fee. No third party can obtain a copy of this report through TMC, unless the applicant has authorized TMC in writing to do so.

2.2. Measurement Uncertainty

Available upon request.

3. PRODUCT DESCRIPTION

3.1. EUT Description

Description	:	Amalgam UV Lamp
Applicant	:	LIGHTEARTH (China) .,Ltd Xin'an Industrial Zone, Danzao Town, Nanhai District, Foshan City, Guangdong Province, China
Manufacturer	:	LIGHTEARTH (China) .,Ltd Xin'an Industrial Zone, Danzao Town, Nanhai District, Foshan City, Guangdong Province, China
Model Number	:	LEGHA1000T6L

3.2. Block Diagram of EUT Configuration



3.3. Operating Condition of EUT

Test mode 1: Lighting

3.4. Test Conditions

Temperature: 23-26°C

Relative Humidity: 55-68 %

3.5. Modifications

No modification was made.

3.6. Abbreviations

AC	Alternating Current
AMN	Artificial Mains Network
DC	Direct Current
EM	ElectroMagnetic
EMC	ElectroMagnetic Compatibility
EUT	Equipment Under Test
IF	Intermediate Frequency
RF	Radio Frequency
rms	root mean square
EMI	Electromagnetic Interference
EMS	Electromagnetic Susceptibility

3.7. Performance Criterion

Criterion A: The equipment shall continue to operate as intended without operator intervention. No degradation of performance or loss of function is allowed below a performance level specified by the manufacturer when the equipment is used as intended.

Criterion B: After the test, the equipment shall continue to operate as intended without operator intervention. No degradation of performance or loss of function is allowed, after the application of the phenomena below a performance level specified by the manufacturer, when the equipment is used as intended.

Criterion C: Loss of function is allowed, provided the function is self-recoverable, or can be restored by the operation of the controls by the user in accordance with the manufacturer's instructions.

4. TEST EQUIPMENT USED

4.1. For Conducted Emission Test

Item	Equipment	Manufacturer	Model No.	Serial No.	Last Cal.	Cal. Interval
1.	Test Receiver	Rohde & Schwarz	ESHS30	828985/018	April 20, 21	1 Year
2.	Pulse Limiter	Rohde & Schwarz	ESH3-Z2	100006	April 20, 21	1 Year
3.	L.I.S.N.	Rohde & Schwarz	ESH2-Z5	834549/005	April 20, 21	1 Year
4.	Voltage Probe	Schwarzbeck	TK9416	N/A	April 20, 21	1 Year
5.	Coaxial Switch	Anritsu	MP59B	6100214550	April 20, 21	1 Year

4.2. For Magnetic Test (In Shielding Room)

Item	Equipment	Manufacturer	Model No.	Serial No.	Last Cal.	Cal. Interval
1.	Test Receiver	Rohde & Schwarz	ESHS20	836600/006	April 20, 21	1 Year
2.	Triple-loop Antenna	Rohde & Schwarz	HM020	843885/002	April 20, 21	1 Year
3.	RF Cable	MIYAZAKI	5D-2W	Tri-loop Cable	April 20, 21	1/2 Year
4.	Coaxial Switch	Anritsu	MP59B	M73989	April 20, 21	1/2 Year

4.3. For Harmonic / Flicker Test

Item	Equipment	Manufacturer	Model No.	Serial No.	Last Cal.	Cal. Interval
1.	Power Frequency test system	HAEFELY	PHF555	080419-03	April 20, 21	1 Year

4.4. For Electrostatic Discharge Immunity Test

Item	Equipment	Manufacturer	Model No.	Serial No.	Last Cal.	Cal. Interval
1.	ESD Tester	HAEFELY	PESD1600	H708159	April 20, 21	1 Year

4.5. For RF Strength Susceptibility Test

Item	Equipment	Manufacturer	Model No.	Serial No.	Last Cal.	Cal. Interval
1.	Signal Generator	HP	8648A	3633A02081	April 20, 21	1 Year
2.	Amplifier	A&R	500A100	17034	NCR	NCR
3.	Amplifier	A&R	100W/1000M1	17028	NCR	NCR
4.	Isotropic Field Monitor	A&R	FM2000	16829	NCR	NCR
5.	Isotropic Field Probe	A&R	FLW220100	16755	April 20, 21	1 Year
6.	Biconic Antenna	EMCO	3108	9507-2534	NCR	NCR
7.	Log-periodic Antenna	A&R	AT1080	16812	NCR	NCR
8.	PC	N/A	486DX2	N/A	N/A	N/A

4.6. For Electrical Fast Transient/Burst Immunity Test

Item	Equipment	Manufacturer	Model No.	Serial No.	Last Cal.	Cal. Interval
1.	Burst Tester	HAEFELY	PEFT 4010	080981-16	April 20, 21	1 Year

4.7. For Surge Test

Item	Equipment	Manufacturer	Model No.	Serial No.	Last Cal.	Cal. Interval
1.	Surge Tester	HAEFELY	PSURGE4.1	080107-04	April 20, 21	1 Year

4.8. For Injected Currents Susceptibility Test

Item	Equipment	Manufacturer	Model No.	Serial No.	Last Cal.	Cal. Interval
1.	Simulator	EMTEST	CWS 500C	0900-12	April 20, 21	1 Year
2.	CDN	EMTEST	CDN-M2	510010010010	April 20, 21	1 Year
3.	VDN	EMTEST	CDN-M3	0900-11	April 20, 21	1 Year
4.	Injection Clamp	EMTEST	F-2031-23MM	368	April 20, 21	1 Year
5.	Attenuator	EMTEST	ATT6	0010222A	April 20, 21	1 Year

4.9. For Magnetic Field Immunity Test

Item	Equipment	Manufacturer	Model No.	Serial No.	Last Cal.	Cal. Interval
1.	Magnetic Field Tester	HEAFELY	MAG100	250040.1	April 20, 21	1 Year

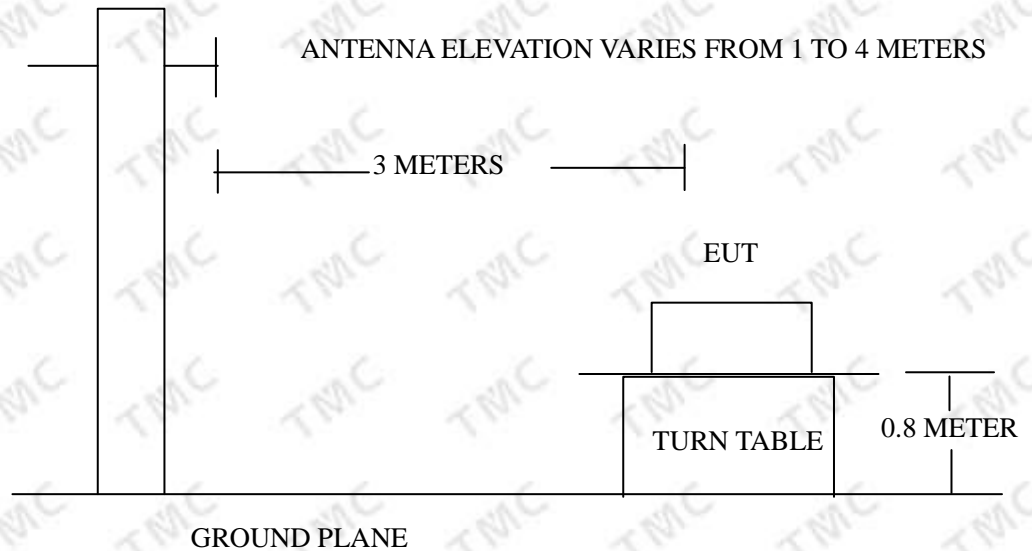
4.10. For Voltage Dips and Interruptions Test

Item	Equipment	Manufacturer	Model No.	Serial No.	Last Cal.	Cal. Interval
2.	Dips Tester	HEAFELY	Pline1610	083732-18	April 20, 21	1 Year

5 RADIATED EMISSION TEST

Open Site Setup Diagram

ANTENNA TOWER



5.1 Test Standard

EN IEC 55015:2019+A11:2020

5.1 Radiated Emission Limit

All emanations from a Class B computing devices or system, including any network of conductors and apparatus connected thereto, shall not exceed the level of field strengths specified below:

FREQUENCY (MHz)	DISTANCE (Meters)	FIELD STRENGTHS LIMITS (dB μ V/m)
30 ~ 230	3	40
230 ~ 1000	3	47

Note:(1) The tighter limit shall apply at the edge between two frequency bands.

(2) Distance refers to the distance in meters between the measuring instruments antenna and the closed point of any part of the EUT.

FREQUENCY (GHz)	DISTANCE (Meters)	Average limit (dB μ V/m)	Peak limit (dB μ V/m)
1 ~ 3	3	50	70
3 ~ 6	3	54	74

Note :The lower limit applies at the transition frequency.

5.2 EUT Configuration on Test

The EN55015 Class B regulations test method must be used to find the maximum emission during radiated emission test.

5.3 Operating Condition of EUT

5.3.1 Setup the EUT as shown on Section 5.1.

5.3.2 Turn on the power of all equipments.

5.3.3 Let the EUT work in test mode and measure it.

5.4 Test Procedure

The EUT is placed on a turn table which is 0.8 meter above ground. The turn table can rotate 360 degrees to determine the position of the maximum emission level. The EUT is set 3 meters away from the receiving antenna which is mounted on a antenna tower. The antenna can move up and down between 1 to 4 meters to find out the maximum emission level. Broadband antenna (calibrated by dipole antenna) are used as a receiving antenna. Both horizontal and vertical polarization of the antenna are set on test.

The bandwidth setting on the test receiver (R&S TEST RECEIVER ESCS20) is 120 KHz.

The EUT is tested in Anechoic Chamber. and all the scanning waveform is put in

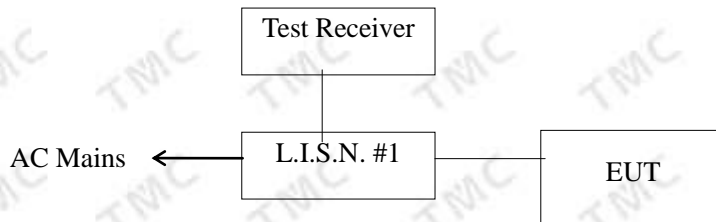
Appendix I.

5.5 Test Results

PASS.

6. POWER LINE CONDUCTED EMISSION TEST

6.1. Block Diagram of Test Setup



6.2. Test Standard

EN IEC 55015:2019+A11:2020

6.3. Power Line Conducted Emission Limit

Frequency	At mains terminals (dB μ V)	
	Quasi-peak Level	Average Level
9KHz ~ 50KHz	110	--
50KHz ~ 150KHz	90 ~ 80*	--
150KHz ~ 0.5MHz	66 ~ 56*	56 ~ 46*
0.5MHz ~ 2.51MHz	56	46
2.51MHz ~ 3.0MHz	73	63
3.0MHz ~ 5.0MHz	56	46
5.0MHz ~ 30MHz	60	50

1. At the transition frequency the lower limit applies.
2. * decreasing linearly with logarithm of the frequency.

6.4. EUT Configuration on Test

The following equipments are installed on conducted emission test to meet EN55015 requirement and operating in a manner, which tends to maximize its emission characteristics in a normal application.

6.4.1. EUT information

Model Number: LEGHA1000T6L

Manufacturer: LIGHTEARTH (China) .,Ltd

6.5. Operating Condition of EUT

- 6.5.1. Setup the EUT and simulators as shown in Section 3.2.
- 6.5.2. Turn on the power of all equipments.
- 6.5.3. Let the EUT work in test modes (EUT WORKING) and test it.

6.6. Test Procedure

The EUT is put on the table which is 0.8 meter high above the ground and connected to the AC mains through a Line Impedance Stabilization Network (L.I.S.N.). This provided a 50ohm coupling impedance for the tested equipments. Both sides of AC line are checked to find out the maximum conducted emission according to the EN55015 regulations during conducted emission test. And the voltage probe had been used for the load terminals test according to the EN55015 standard.

The bandwidth of the test receiver (R&S ESHS20) is set at 10KHz. in 150KHz~30MHz and 200Hz bandwidth in 9KHz~150KHz.

The frequency range from 9KHz to 30MHz is checked.

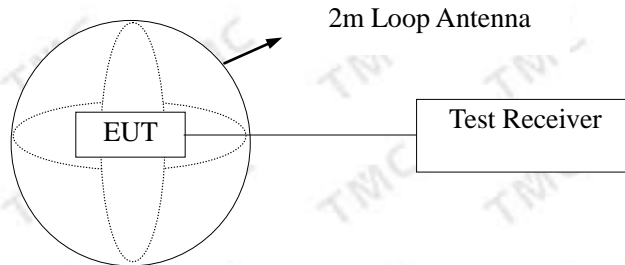
All the test results are listed in Section 6.7. and all the scanning waveform is put in **Appendix II**.

6.7. Test Result

PASS

7. MAGNETIC TEST

7.1. Block Diagram of Test Setup



(EUT: Amalgam UV Lamp)

7.2. Test Standard

EN IEC 55015:2019+A11:2020

7.3. Magnetic Field Emission Limits

Frequency	Limits for loop diameter (dB μ A)
	2m
9KHz ~ 70KHz	69
70KHz ~ 150KHz	69~39*
150KHz ~ 4.0MHz	39~3*
4.0MHz ~ 30MHz	3

1. At the transition frequency the lower limit applies.
2. * decreasing linearly with logarithm of the frequency.

7.4. EUT Configuration on Test

The configuration of the EUT is same as Section 3.2..

7.5. Operating Condition of EUT

- 7.5.1. Setup the EUT as shown in Section 6.1.
- 7.5.2. Turn on the power of all equipments.
- 7.5.3. Let the EUT work in test mode (ON) and test it.

7.6. Test Procedure

The EUT is placed on a wood table in the center of a loop antenna. The induced current in the loop antenna is measured by means of a current probe and the test receiver. Three field components is checked by means of a coax switch.

The frequency range from 9KHz to 30MHz is investigated. The receiver is measured with the quasi-peak detector. For frequency band 9KHz to 150KHz, the bandwidth of the field strength meter (R&S test receiver ESHS20) is set at 200Hz. For frequency band 150KHz to 30MHz, the bandwidth is set at 10KHz.

All the test results are listed in Section 7.7.

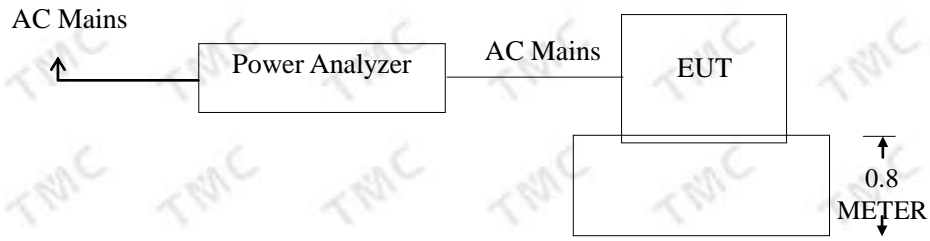
7.7. Test Results

PASS.

The frequency range from 9KHz to 30MHz is investigated.
As the peak value is too low against the limit, so the Quasi-peak value has been omitted.

8. HARMONIC CURRENT EMISSION TEST

8.1. Block Diagram of Test Setup



(EUT: Amalgam UV Lamp)

8.2. Test Standard

EN IEC 61000-3-2:2019

8.3. Operating Condition of EUT

- 8.3.1. Setup the EUT as shown in Section 5.1.
- 8.3.2. Turn on the power of all equipments.
- 8.3.3. Let the EUT work in test mode (ON) and test it.

8.4. Test Procedure

The power cord of the EUT is connected to the output of the test system. Turn on the Power of the EUT and use the test system to test the harmonic current level.

8.5. Test Results

PASS

9. VOLTAGE FLUCTUATIONS & FLICKER TEST

9.1. Block Diagram of Test Setup

Same as Section 7.1..

9.2. Test Standard

EN 61000-3-3:2013+A1:2019

9.3. Operating Condition of EUT

Same as Section 7.3.. The power cord of the EUT is connected to the output of the test system. Turn on the power of the EUT and use the test system to test the harmonic current level.

Flicker Test Limit

Test items	Limits
Pst	1.0
dc	3.3%
dmax	4.0%
dt	Not exceed 3.3% for 500ms

9.4. Test Data

Flicker test Data

Model No.: LEGHA1000T6L

Test Mode: 1

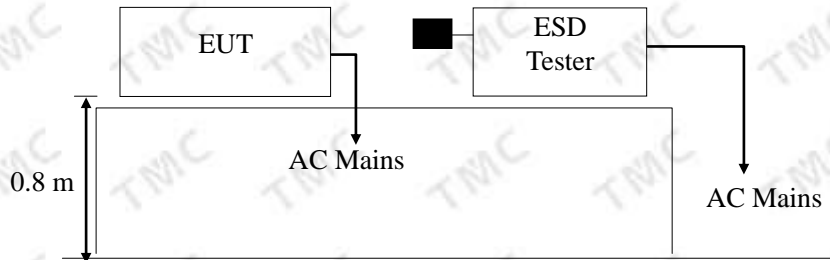
Items	Reading	Limit
dmax	0.00	4.0%
dc	0.00	3.3%
dt	0.00	Not exceed 3.3% for 500ms
Pst	0.001	1.0

9.5. Test Results

PASS.

10. ELECTROSTATIC DISCHARGE TEST

10.1. Block Diagram of ESD Test Setup



Remark:  is Discharge Electrode

10.2. Test Standard

IEC 61547:2020 (EN61000-4-2:2009)
 Severity Level 3 for Air Discharge at 8KV
 Severity Level 2 for Contact Discharge at 4KV

10.3. Severity Levels and Performance Criterion

10.3.1. Severity level

Level	Test Voltage Contact Discharge (KV)	Test Voltage Air Discharge (KV)
1.	2	2
2.	4	4
3.	6	8
4.	8	15
X.	Special	Special

10.3.2. Performance criterion: B

10.4. EUT Configuration on Test

The configuration of EUT are listed in Section 3.2.

10.5. Operating Condition of EUT

- 10.5.1. Setup the EUT as shown in Section 9.1.
- 10.5.2. Turn on the power of all equipments.
- 10.5.3. Let the EUT work in test mode (full load) and test it.

10.6. Test Procedure

10.6.1. Air Discharge:

This test is done on a non-conductive surfaces. The round discharge tip of the discharge electrode shall be approached as fast as possible to touch the EUT.

After each discharge, the discharge electrode shall be removed from the EUT.

The generator is then re-triggered for a new single discharge and repeated 10 Jasesones for each pre-selected test point. This procedure shall be repeated until all the air discharge completed.

10.6.2. Contact Discharge:

All the procedure shall be same as Section 9.6.1. except that the tip of the discharge electrode shall touch the EUT before the discharge switch is operated.

10.6.3. Indirect discharge for horizontal coupling plane

At least 20 single discharges shall be applied to the horizontal coupling plane, at points on each side of the EUT. The discharge electrode positions vertically at a distance of 0.1m from the EUT and with the discharge electrode touching the coupling plane.

10.6.4. Indirect discharge for vertical coupling plane

At least 20 single discharge shall be applied to the center of one vertical edge of the coupling plane. The coupling plane, of dimensions 0.5m X 0.5m, is placed parallel to, and positioned at a distance of 0.1m from the EUT. Discharges shall be applied to the coupling plane, with this plane in sufficient different positions that the four faces of the EUT are completely illuminated.

10.7. Test Results

PASS.

Please refer to the following page.

Electrostatic Discharge Test Results

TMC Testing Services (Shenzhen) Co., Ltd.

<i>Applicant</i> : <i>LIGHTEARTH (China) ,Ltd</i>	<i>Test Date</i> : <i>September17, 2021</i>
<i>EUT</i> : <i>Amalgam UV Lamp</i>	<i>Temperature</i> : <i>22°C</i>
<i>M/N</i> : <i>LEGHA1000T6L</i>	<i>Humidity</i> : <i>50%</i>
<i>Power Supply</i> : <i>AC230V,50Hz</i>	<i>Test Mode</i> : <i>Lighting</i>
<i>Test Engineer</i> : <i>Jason</i>	

Air Discharge: ±8KV *For each point positive 10 Jaseses and negative 10 Jaseses discharge.*

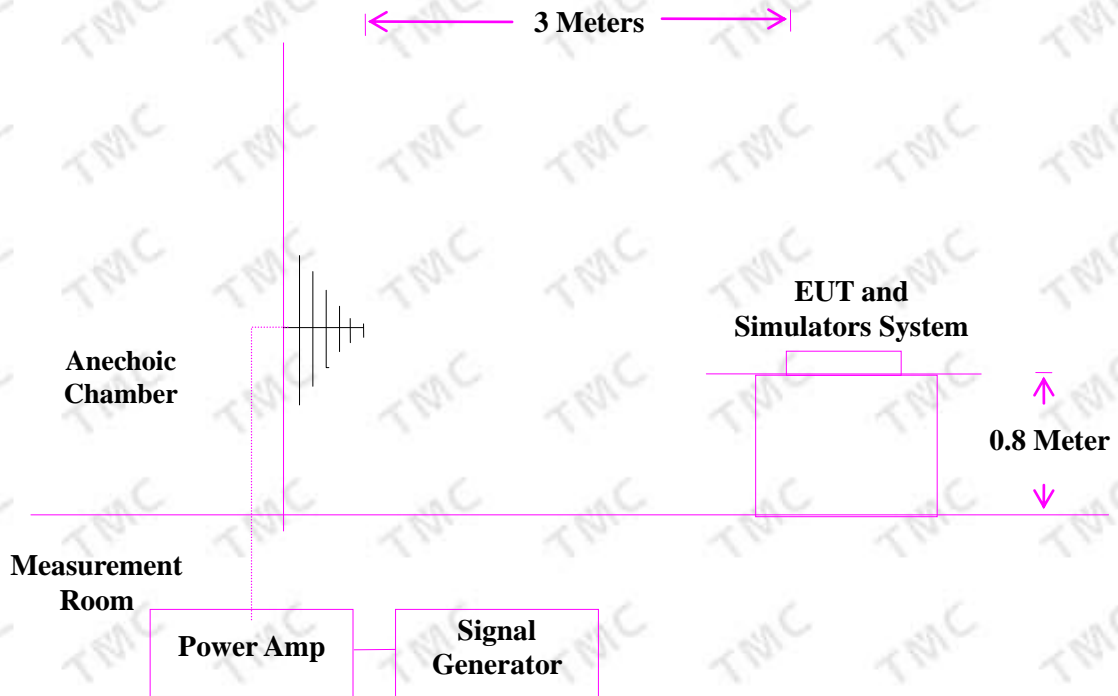
Contact Discharge: ±4KV

Location		Kind A-Air Discharge C-Contact Discharge	Result
<i>LED</i>	<i>10 points</i>	<i>A</i>	<i>PASS</i>
<i>Slots</i>	<i>10 points</i>	<i>A</i>	<i>PASS</i>
<i>Metal Part</i>	<i>10 points</i>	<i>C</i>	<i>PASS</i>
<i>HCP</i>	<i>10 points</i>	<i>C</i>	<i>PASS</i>
<i>VCP of Front</i>	<i>10 points</i>	<i>C</i>	<i>PASS</i>
<i>VCP of Rear</i>	<i>10 points</i>	<i>C</i>	<i>PASS</i>
<i>VCP of Left</i>	<i>10 points</i>	<i>C</i>	<i>PASS</i>
<i>VCP of Right</i>	<i>10 points</i>	<i>C</i>	<i>PASS</i>

Discharge should be considered on Contact and Air and Horizontal Coupling Plane (HCP) and Vertical Coupling Plane (VCP).

11. RF FIELD STRENGTH SUSCEPTIBILITY TEST

11.1. R/S Test Setup



11.2. Test Standard

IEC 61547:2020 (EN61000-4-3:2006+A1:2008+A2:2010)
 Severity Level 2 at 3V / m

11.3. Severity Levels and Performance Criterion

11.3.1. Severity level

Level	Field Strength V/m
1.	1
2.	3
3.	10
X.	Special

11.3.2. Performance criterion : A

11.4. EUT Configuration on Test

The configuration of EUT are listed in Section 3.2.

11.5. Operating Condition of EUT

Setup the EUT as shown in Section 10.1.. The operating condition of EUT are listed in section 3.3.

11.6. Test Procedure

The EUT and its simulators are placed on a turn table which is 0.8 meter above the ground. The EUT is set 3 meters away from the transmitting antenna which is mounted on an antenna tower. Both horizontal and vertical polarization of the antenna are set on test. Each of the four sides of EUT must be faced this transmitting antenna and measured individually. In order to judge the EUT performance, a CCD camera is used to monitor the EUT. All the scanning conditions are as follows :

Condition of Test	Remarks
Fielded Strength	3 V/m (Severity Level 2)
Radiated Signal	Modulated
Scanning Frequency	80 - 1000 MHz
Sweeping Jassone of radiated	0.0015 decade/s
Dwell Jassone	1 Sec.

11.7. Test Results

PASS.

Please refer to the following page.

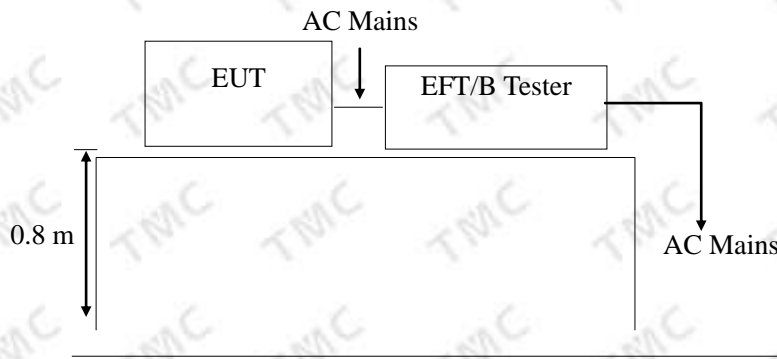
RF Field Strength Susceptibility Test Results

TMC Testing Services (Shenzhen) Co., Ltd.

<i>Applicant</i> : <i>LIGHTEARTH (China) ,Ltd</i>	<i>Test Date</i> : <i>September17, 2021</i>	
<i>EUT</i> : <i>Amalgam UV Lamp</i>	<i>Temperature</i> : <i>22°C</i>	
<i>M/N</i> : <i>LEGHA1000T6L</i>	<i>Humidity</i> : <i>50%</i>	
<i>Power Supply</i> : <i>AC230V,50Hz</i>	<i>Test Mode</i> : <i>Lighting</i>	
<i>Test Engineer</i> : <i>George</i>	<i>Frequency Range</i> : <i>80 MHz to 1000 MHz</i>	
<i>Modulation:</i> <input checked="" type="checkbox"/> <i>AM</i> <input type="checkbox"/> <i>Pulse</i> <input type="checkbox"/> <i>none</i> <i>1 KHz</i> <i>80%</i>		
<i>Criterion</i> : <i>A</i>		
	<i>Frequency Rang</i> : <i>80-1000</i>	
<i>Steps</i>	<i>1%</i>	<i>1%</i>
	<i>Horizontal</i>	<i>Vertical</i>
<i>Front</i>	<i>Pass</i>	<i>Pass</i>
<i>Right</i>	<i>Pass</i>	<i>Pass</i>
<i>Rear</i>	<i>Pass</i>	<i>Pass</i>
<i>Left</i>	<i>Pass</i>	<i>Pass</i>

12. ELECTRICAL FAST TRANSIENT/BURST TEST

12.1. EFT Test Setup



12.2. Test Standard

IEC 61547:2020 (EN61000-4-4:2012)
 Severity Level 2 at 1KV

12.3. Severity Levels and Performance Criterion

12.3.1. Severity level

Open Circuit Output Test Voltage $\pm 10\%$		
Level	On Power Supply Lines	On I/O (Input/Output) Signal data and control lines
1.	0.5 KV	0.25 KV
2.	1 KV	0.5 KV
3.	2 KV	1 KV
4.	4 KV	2 KV
X	Special	Special

12.3.2. Performance criterion : B

12.4. EUT Configuration on Test

The configuration of EUT are listed in Section 3.2..

12.5. Operating Condition of EUT

Setup the EUT as shown in Section 11.1.. The operating condition of EUT are listed in section 3.3.

12.6. Test Procedure

The EUT is put on the table which is 0.8 meter high above the ground. This reference ground plane shall project beyond the EUT by at least 0.1m on all sides and the minimum distance between the EUT and all other conductive structure, except the ground plane beneath the EUT, shall be more than 0.5m.

12.6.1. For input and output AC power ports:

The EUT is connected to the power mains by using a coupling device which couples the EFT interference signal to AC power lines. Both polarities of the test voltage should be applied during compliance test and the duration of the test is 2 mins.

12.6.2. For signal lines and control lines ports:

It's necessary to test.

12.6.3. For DC output line ports:

It's unnecessary to test.

12.7. Test Results

PASS.

Please refer to the following page.

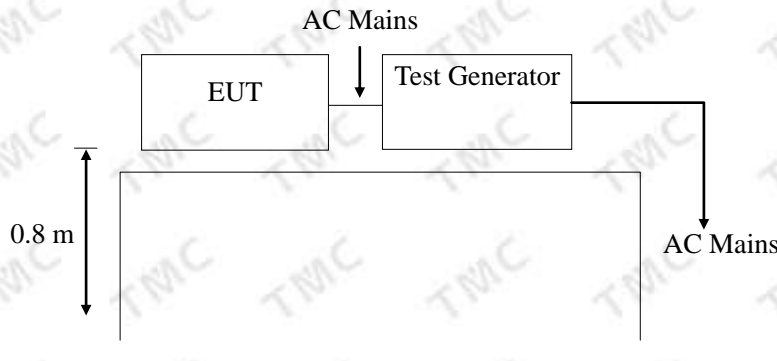
Electrical Fast Transient/Burst Test Results

TMC Testing Services (Shenzhen) Co., Ltd.

<i>Applicant</i> : <i>LIGHTEARTH (China) ,Ltd</i>		<i>Test Date</i> : <i>September17, 2021</i>							
<i>EUT</i> : <i>Amalgam UV Lamp</i>		<i>Temperature</i> : <i>22°C</i>							
<i>M/N</i> : <i>LEGHA1000T6L</i>		<i>Humidity</i> : <i>50%</i>							
<i>Power Supply</i> : <i>AC230V,50Hz</i>		<i>Test Mode</i> : <i>Lighting</i>							
<i>Test Engineer</i> : <i>Kelly</i>									
<i>Inject Place</i> : <i>AC Mains</i>									
<i>Inject Line</i>	<i>Voltage KV</i>	<i>Inject Jaseone(s)</i>	<i>Inject Method</i>	<i>Results</i>	<i>Inject Line</i>	<i>Voltage KV</i>	<i>Inject Jaseone(s)</i>	<i>Inject Method</i>	<i>Results</i>
<i>L</i>	<i>±1</i>	<i>120</i>	<i>Direct</i>	<i>PASS</i>					
<i>N</i>	<i>±1</i>	<i>120</i>	<i>Direct</i>	<i>PASS</i>					
<i>L N</i>	<i>±1</i>	<i>120</i>	<i>Direct</i>	<i>PASS</i>					

13. SURGE TEST

13.1. Surge Test Setup



13.2. Test Standard

IEC 61547:2020 (EN61000-4-5:2017)
Severity Level 2 for Line to Neutral at 1.0KV

13.3. Severity Levels and Performance Criterion

13.3.1. Severity level

Severity Level	Open-Circuit Test Voltage KV
1	6.5
2	7.0
3	8.0
4	4.0
*	Special

Performance criterion : C

13.4. EUT Configuration on Test

The configuration of EUT are listed in Section 3.2.

13.5. Operating Condition of EUT

13.5.1. Setup the EUT as shown in Section 12.1..

13.5.2. Turn on the power of all equipments.

13.5.3. Let the EUT work in test mode (Full load) and test it.

13.6. Test Procedure

- 1) Set up the EUT and test generator as shown on Section 12.1
- 2) For line to line coupling mode, provide a 0.5KV 1.2/50us voltage surge (at open-circuit condition) and 8/20us current surge to EUT selected points.
- 3) At least 5 positive and 5 negative (polarity) tests with a maximum 1/min repetition rate are conducted during test.
- 4) Different phase angles are done individually.
- 5) Record the EUT operating situation during compliance test and decide the EUT immunity criterion for above each test.

13.7. Test Results

PASS.

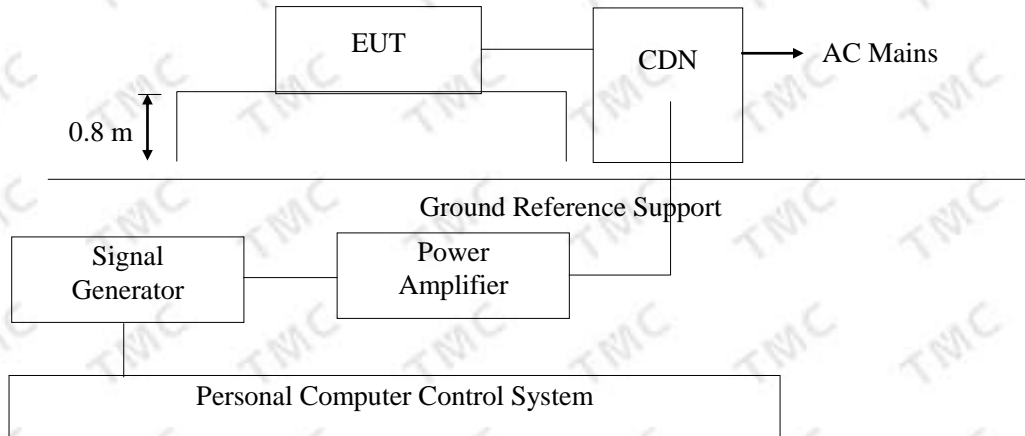
Please refer to the following page.

Surge Immunity Test Results
TMC Testing Services (Shenzhen) Co., Ltd.

Applicant : <u>LIGHTEARTH (China) ,Ltd</u>				Test Date : <u>September17, 2021</u>	
EUT : <u>Amalgam UV Lamp</u>				Temperature : <u>22°C</u>	
M/N : <u>LEGHA1000T6L</u>				Humidity : <u>50%</u>	
Power Supply : <u>AC230V,50Hz</u>				Test Mode : <u>Lighting</u>	
Test Engineer : <u>Kelly</u>					
Location	Polarity	Phase Angle	No of Pulse	Pulse Voltage (KV)	Result
L-N	+	0	5	1.0	/
	+	90	5	1.0	PASS
	+	180	5	1.0	/
	+	270	5	1.0	PASS
L-P	+	0	5	1.0	/
	+	90	5	1.0	PASS
	+	180	5	1.0	/
	+	270	5	1.0	PASS
N-P	+	0	5	1.0	/
	+	90	5	1.0	PASS
	+	180	5	1.0	/
	+	270	5	1.0	PASS

14. INJECTED CURRENTS SUSCEPTIBILITY TEST

14.1. Block Diagram of Test AC Mains Setup



14.2. Test Standard

IEC 61547:2020 (EN61000-4-6:2014/AC:2015)
Severity Level 2 at 3 V (rms), 0.15MHz ~ 80MHz

14.3. Severity Levels and Performance Criterion

14.3.1. Severity level

Level	Field Strength V/m
1.	1
2.	3
3.	10
X	Special

14.3.2. Performance criterion: A

14.4. EUT Configuration on Test

The configuration of EUT are listed in Section 3.2.

14.5. Operating Condition of EUT

Setup the EUT as shown in Section 13.1.. The operating condition of EUT are listed in section 3.3.

14.6. Test Procedure

- 1) Set up the EUT, CDN and test generators as shown on Section 13.1.
- 2) Let the EUT work in test mode and test it.
- 3) The EUT are placed on an insulating support 0.8m high above a ground reference plane. CDN (coupling and decoupling device) is placed on the ground plane about 0.3m from EUT. Cables between CDN and EUT are as short as possible, and their height above the ground reference plane shall be between 30 and 50 mm (where possible).
- 4) The disturbance signal described below is injected to EUT through CDN.
- 5) The EUT operates within its operational mode(s) under intended climatic conditions after power on.
- 6) The frequency range is swept from 150KHz to 80MHz using 3V signal level, and with the disturbance signal 80% amplitude modulated with a 1KHz sine wave.
- 7) The rate of sweep shall not exceed $1.5 \cdot 10^{-3}$ decades/s. Where the frequency is swept incrementally, the step size shall not exceed 1% of the start and thereafter 1% of the preceding frequency value.
- 8) Recording the EUT operating situation during compliance testing and decide the EUT immunity criterion.

14.7. Test Results

PASS.

Please refer to the following page.

Injected Currents Susceptibility Test Results

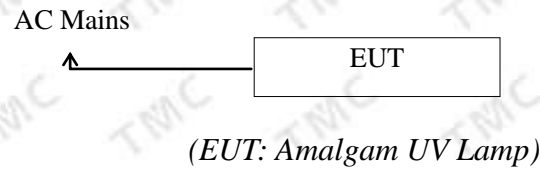
TMC Testing Services (Shenzhen) Co., Ltd.

<i>Applicant</i> : <u>LIGHTEARTH (China) ,Ltd</u>		<i>Test Date</i> : <u>September17, 2021</u>		
<i>EUT</i> : <u>Amalgam UV Lamp</u>		<i>Temperature</i> : <u>22°C</u>		
<i>M/N</i> : <u>LEGHA1000T6L</u>		<i>Humidity</i> : <u>50%</u>		
<i>Power Supply</i> : <u>AC230V,50Hz</u>		<i>Test Mode</i> : <u>Lighting</u>		
<i>Test Engineer</i> : <u>Kelly</u>				
Frequency Range (MHz)	Injected Position	Strength	Criterion	Result
0.15 ~ 20	AC Line	3V(rms), Unmodulated	A	PASS
20 ~ 80	AC Line	3V(rms), Unmodulated	A	PASS
<i>Remark</i> : 1. Modulation Signal:1KHz 80% AM 2. Standard Applied : EN61000-4-6:1996		<i>Note</i> :		

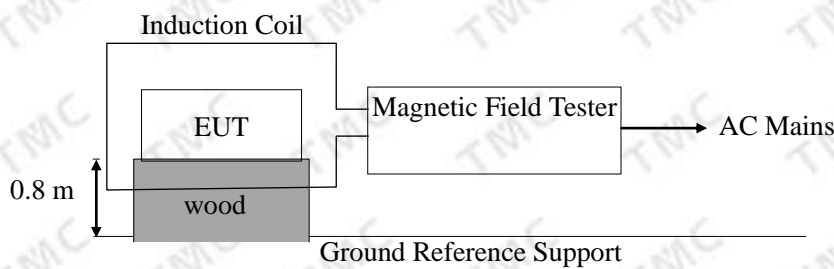
15. MAGNETIC FIELD IMMUNITY TEST

15.1. Block Diagram of Test Setup

15.1.1. Block Diagram of the EUT



15.1.2. Block Diagram of Test Setup



15.2. Test Standard

EN61547: 2009 (EN61000-4-8: 2010)
Severity Level 2 at 3A/m

15.3. Severity Levels and Performance Criterion

15.3.1. Severity level

Level	Magnetic Field Strength A/m
1.	1
1.	3
2.	10
3.	30
4.	100
X.	Special

15.3.2. Performance criterion: A

15.4. EUT Configuration on Test

The configuration of EUT are listed in Section 3.2.

15.5. Operating Condition of EUT

15.5.1. Setup the EUT as shown in Section 14.1

15.5.2. Turn on the power of all equipments.

15.5.3. Let the EUT work in test mode (ON) and test it.

15.6. Test Procedure

The EUT shall be subjected to the test magnetic field by using the induction coil of standard dimensions (1m*1m) and shown in Section 14.1. The induction coil shall then be rotated by 90° in order to expose the EUT to the test field with different orientations.

15.7. Test Results

PASS.

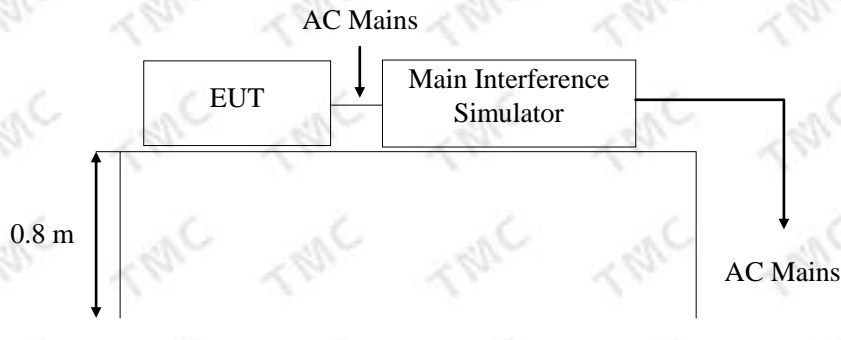
Please refer to the following page.

Magnetic Field Immunity Test Results
TMC Testing Services (Shenzhen) Co., Ltd.

<i>Applicant: LIGHTEARTH (China) ,Ltd</i>		<i>Test Date :September17, 2021</i>		
<i>EUT : Amalgam UV Lamp</i>		<i>Temperature : 26°C</i>		
<i>M/N : LEGHA1000T6L</i>		<i>Humidity : 60 %</i>		
<i>Power Supply : AC230V,50Hz</i>		<i>Test Engineer : Kelly</i>		
<i>Test Model: Lighting</i>				
<i>Test Level</i>	<i>Testing Duration</i>	<i>Coil Orientation</i>	<i>Criterion</i>	<i>Result</i>
<i>3A/M</i>	<i>5 mins</i>	<i>Horizontal</i>	<i>A</i>	<i>PASS</i>
<i>3A/M</i>	<i>5 mins</i>	<i>Vertical</i>	<i>A</i>	<i>PASS</i>
<i>Remark:</i>		<i>Test Equipment : Magnetic Field Tester MAG100</i>		

16. VOLTAGE DIPS AND INTERRUPTIONS TEST

16.1. Voltage Dips and Interruptions Test Setup



Remark: Combination wave generator and decoupling network are included in test generator.

16.2. Test Standard

IEC 61547:2020 (EN61000-4-11:2019)

16.3. Severity Levels and Performance Criterion

16.3.1. Severity level

Test Level %UT	Voltage dip and short interruptions %UT	Duration (in period)
0	100	250p
40	60	5p
70	30	0.5p

16.3.2. Performance criterion : C & B

16.4. EUT Configuration on Test

The configuration of EUT are listed in Section 3.2.

16.5. Operating Condition of EUT

16.5.1. Setup the EUT as shown in Section 15.1..

16.5.2. Turn on the power of all equipments.

16.5.3. Let the EUT work in test mode (SPEAKERS Playing) and test it.

16.6. Test Procedure

- 1) Set up the EUT and test generator as shown on Section 15.1.
- 2) The interruptions is introduced at selected phase angles with specified duration.
- 3) Record any degradation of performance.

16.7. Test Result

PASS.

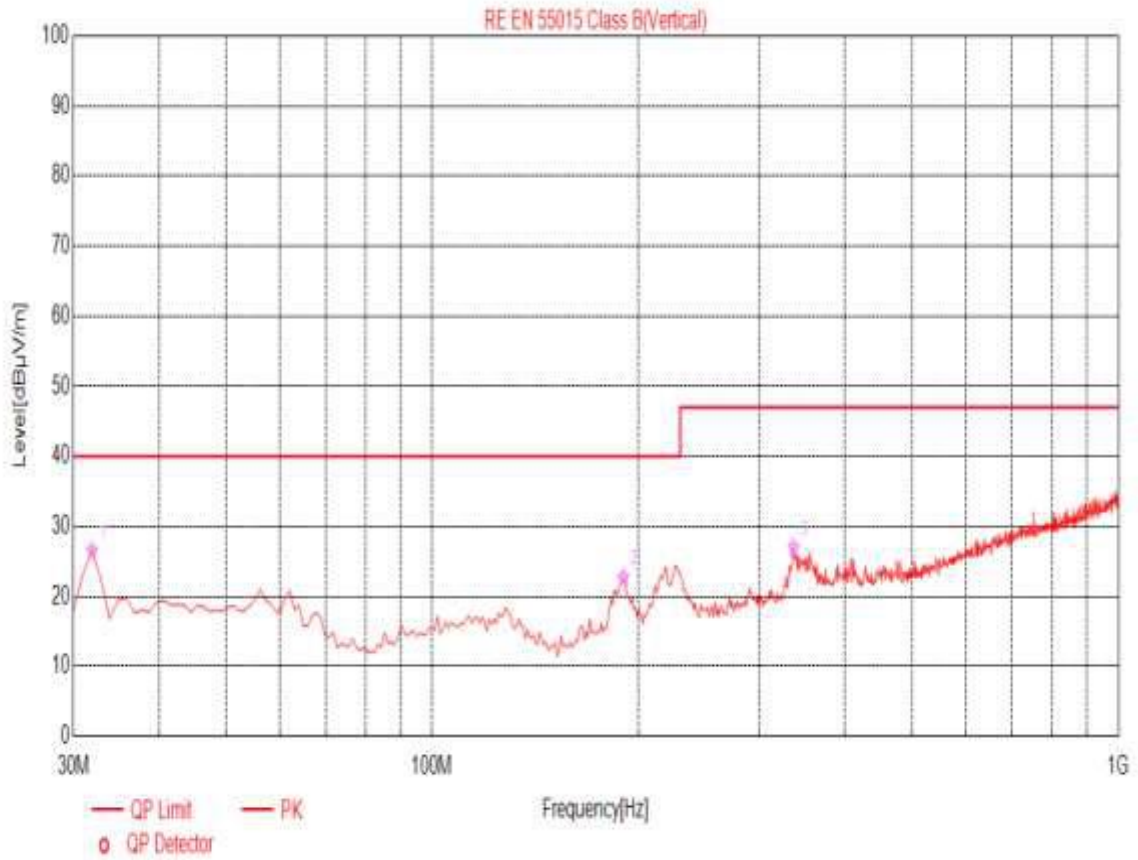
Please refer to the following page.

Voltage Dips And Interruptions Test Results
TMC Testing Services (Shenzhen) Co., Ltd.

<i>Applicant: LIGHTEARTH (China) ,Ltd</i>			<i>Test Date :September17, 2021</i>		
<i>EUT : Amalgam UV Lamp</i>			<i>Temperature : 26°C</i>		
<i>M/N : LEGHA1000T6L</i>			<i>Humidity : 64 %</i>		
<i>Power Supply : AC230V,50Hz</i>			<i>Test Engineer : Kelly</i>		
<i>Test Model: Lighting</i>					
<i>Test Level</i>	<i>Voltage Dips & Short Interruptions</i>	<i>Duration (in period)</i>	<i>Phase Angle</i>	<i>Criterion</i>	<i>Result</i>
<i>% U_T</i>	<i>% U_T</i>				
<i>70</i>	<i>30</i>	<i>10P</i>	<i>90°</i>	<i>C</i>	<i>PASS</i>
<i>0</i>	<i>100</i>	<i>0.5P</i>	<i>180°</i>	<i>B</i>	<i>PASS</i>
<i>Remark: U_T is the rated voltage for the equipment.</i>			<i>Test Equipment : Main Interference Simulator (HEAFELY PLINE1610)</i>		

APPENDIX I

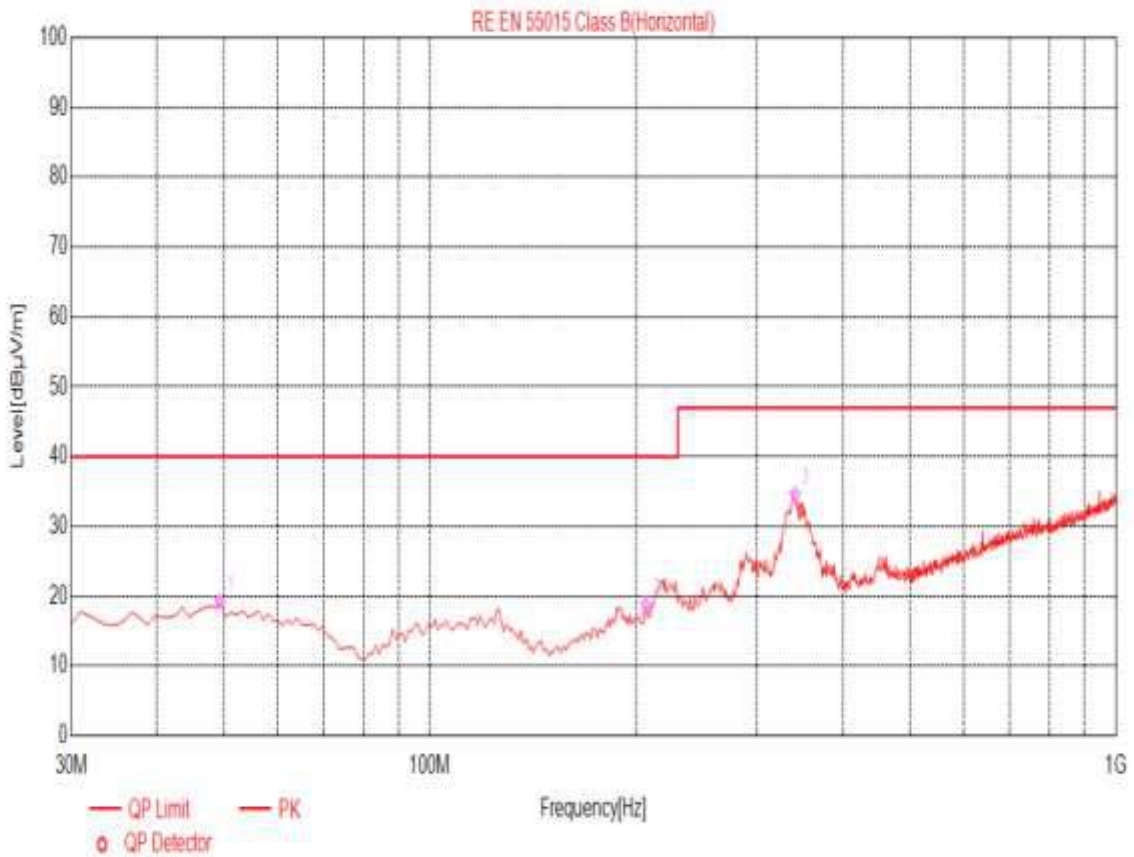
Test Graph



Suspected Data List

NO.	Freq. [MHz]	Level [dBµV/m]	Factor [dB]	Limit [dBµV/m]	Margin [dB]	Height [cm]	Angle [°]	Polarity
1	31.9400	26.50	-10.65	40.00	13.50	100	186	Vertical
2	190.050	22.65	-9.51	40.00	17.35	100	288	Vertical
3	336.520	26.89	-5.93	47.00	20.11	100	321	Vertical

Test Graph

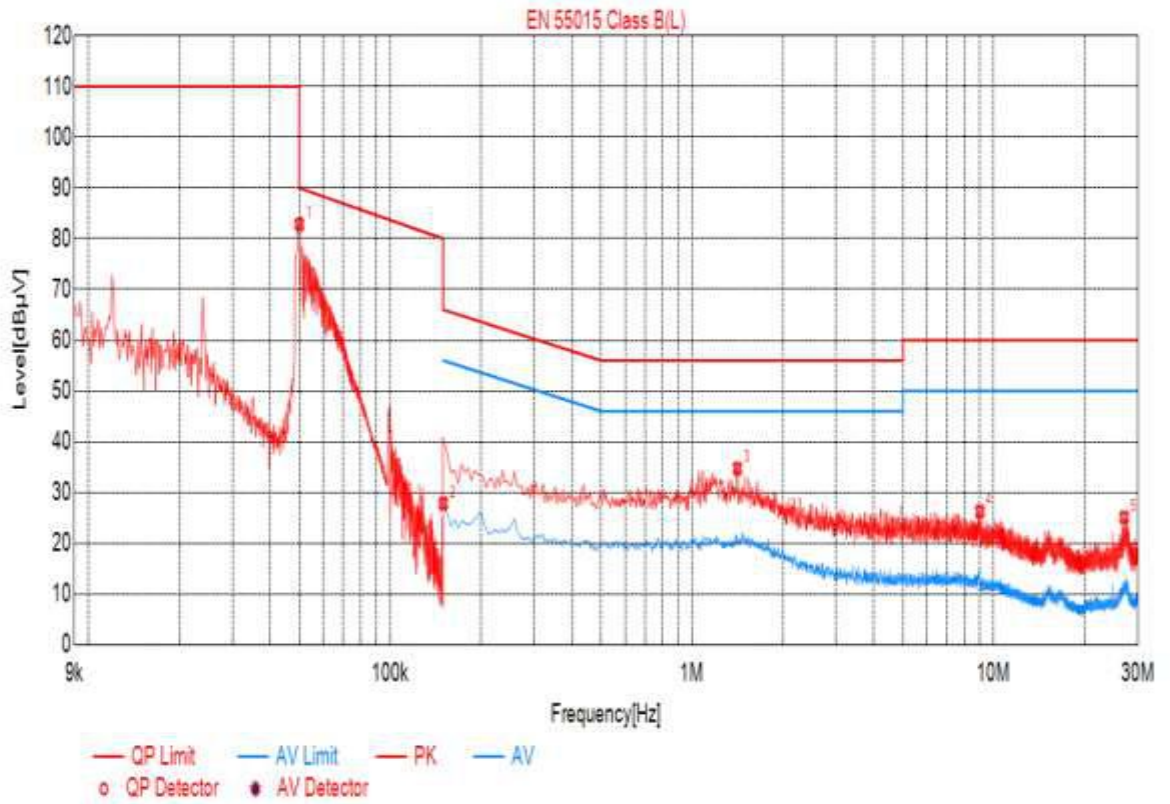


Suspected Data List

NO.	Freq. [MHz]	Level [dBµV/m]	Factor [dB]	Limit [dBµV/m]	Margin [dB]	Height [cm]	Angle [°]	Polarity
1	49.4000	19.06	-7.83	40.00	20.94	100	80	Horizontal
2	206.540	18.62	-9.04	40.00	21.38	100	61	Horizontal
3	340.400	34.44	-5.84	47.00	12.56	100	346	Horizontal

APPENDIX II

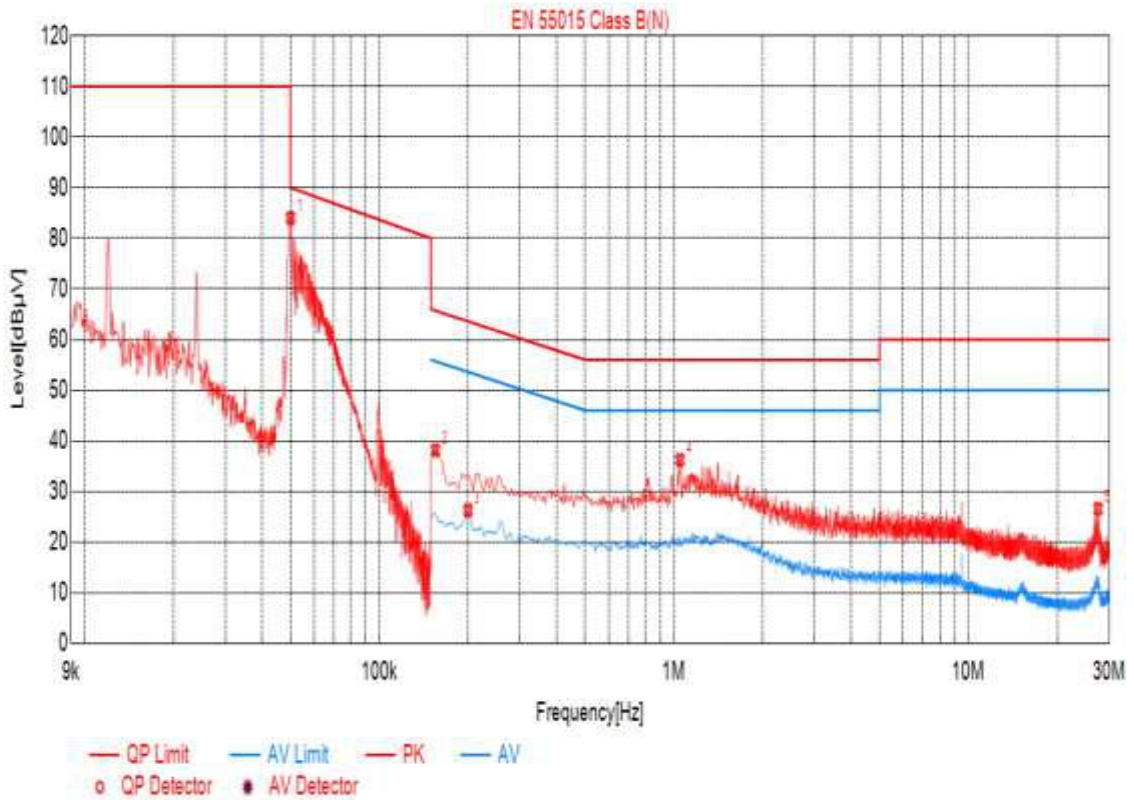
Test Graph



Data List

NO.	Freq. [MHz]	Level [dBµV]	Factor [dB]	Limit [dBµV]	Margin [dB]	Detector	Verdict
1	0.050	82.86	11.08	110.00	27.14	PK	PASS
2	0.150	27.79	11.08	56.00	28.21	AV	PASS
3	1.4145	34.71	11.08	56.00	21.29	PK	PASS
4	9.0015	26.22	11.08	60.00	33.78	PK	PASS
5	27.0645	25.06	11.08	60.00	34.94	PK	PASS

Test Graph



Data List

NO.	Freq. [MHz]	Level [dBµV]	Factor [dB]	Limit [dBµV]	Margin [dB]	Detector	Verdict
1	0.050	84.01	11.08	89.96	5.95	PK	PASS
2	0.155	38.13	11.08	65.75	27.62	PK	PASS
3	0.200	26.27	11.08	53.63	27.36	AV	PASS
4	1.0500	36.21	11.08	56.00	19.79	PK	PASS
5	27.5730	26.55	11.08	60.00	33.45	PK	PASS

APPENDIX III

Photo 1 General appearance of the EUT



Photo 2 General appearance of the EUT



Photo 3 General appearance of the EUT

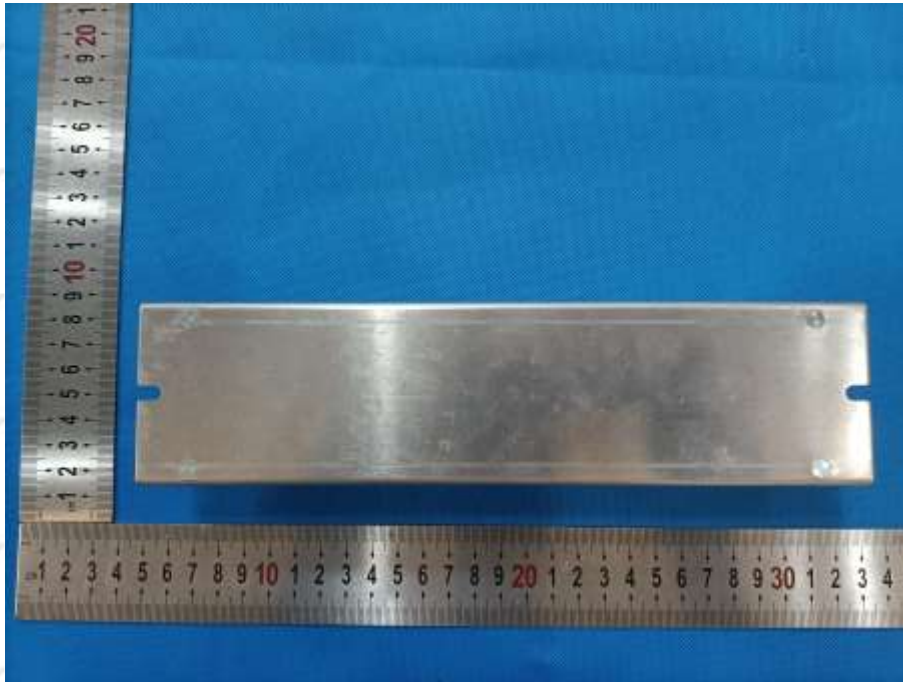


Photo 4 Radiated Emission Test

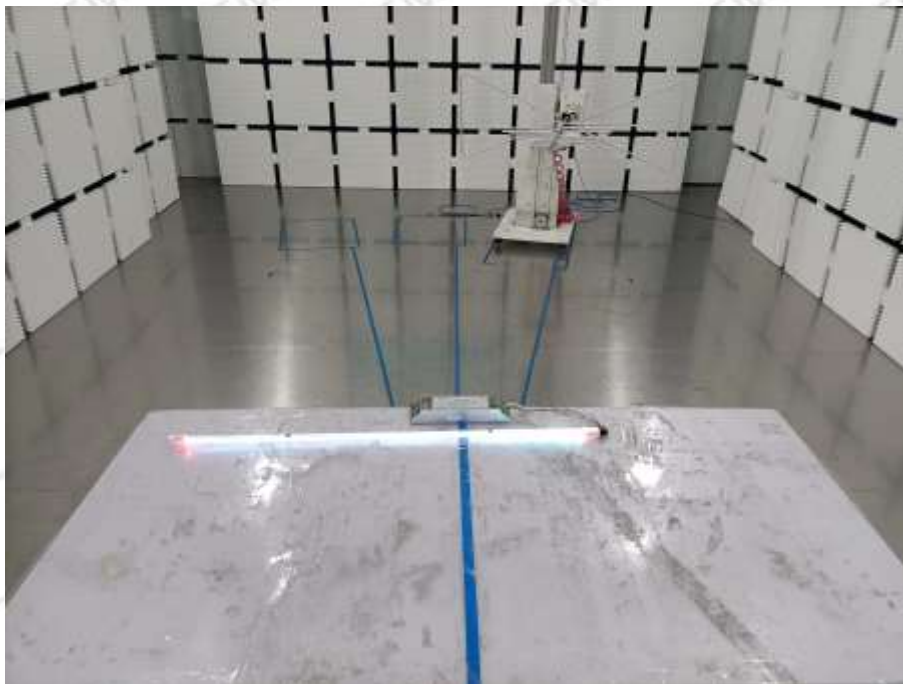


Photo 5 Conducted emission test



END OF REPORT